

 **WARNING:** Observe safe firearm handling practices at all times! Make sure the weapon is unloaded and the safety engaged!

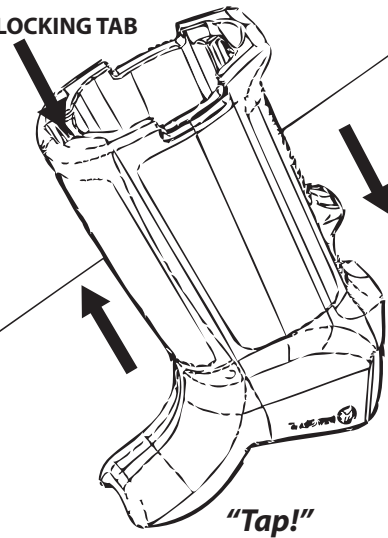
# MIAD™

The mid-sized B2 backstrap comes pre-installed on the MIAD™ grip. MIAD™ components are designed to fit snugly. Follow the instructions below to remove a backstrap or tune the fit of your grip. Please call 1.877.4MAGPUL if you have questions or need further assistance.

## TIGHT BACKSTRAP REMOVAL

Remove MIAD™ Grip from weapon if already mounted. Remove Core and hold grip upside down. Push Backstrap Locking Tab rearward and hold it out of engagement. Holding grip firmly from front and sides, tap backstrap on hard surface until it breaks free from the grip. Slide backstrap off of grip.

**BACKSTRAP LOCKING TAB**



## GRIP TUNING

Backstrap fit may be tuned to allow Backstrap swapping while the grip is mounted to the weapon. To do this, lightly trim sides of rear mounting rail as shown. Test fit Backstrap before mounting to weapon. A light coating of grease may also be applied to ease removal.

